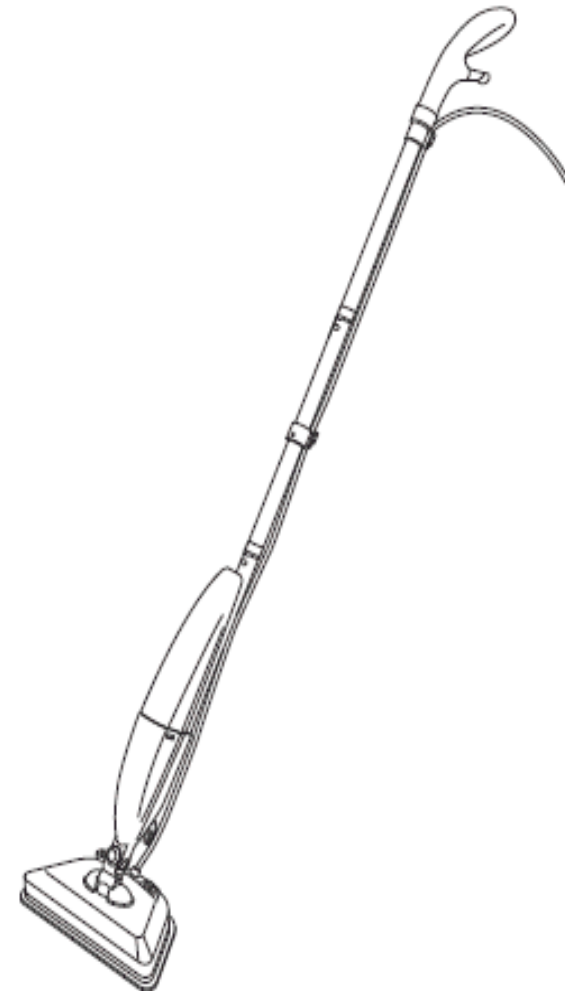


# ECO Steam Extreme

Assembly & Operating Instruction



Please read these instruction carefully before assembling or operating this product. Ensure you are familiar with all of the safety and operating instructions.

## Contents

Technical Specification -----	1
Important Safety Information-----	2
Steam Mop Parts-----	3
Your Steam Mop-----	4
Assembly-----	4
Fitting the Attachments-----	5
Filling the water tank-----	6
Before use-----	6
Using the Steam Mop-----	7
Care and Maintenance-----	8

## Technical Specification

Voltage: 120V/60Hz

Current: 12.5A

Specification: 1500W/60Hz

Water capacity: 550ml

Length of power cord: 5.0meters

Heating time: approx. 1 min.

Steam continuous using time: 20 minutes

## Important Safety Information

**Failure to follow these instruction could result in damage to the unit, injury or death.**

Unpack and check that you have all of the parts and attachment shown.

To avoid risk to suffocation to children or animals, dispose of the plastic bags correctly.

Remove all packing materials and dispose of correctly.

For indoor household use only.

Not suitable for use with an extension cable.

Keep out of reach of children and keep pets clear during use.

**Only** use water or distilled water in the unit.

**Warning –risk of severe burns and scalding.**

**Warning-electrical shock risk.**

**Warning**-this appliance must be earthed.

**DO NOT** use any chemical detergents, perfumes, alcohol etc. in the water.

**DO NOT** place hands or feet near the steam outlets.

**DO NOT** submerge the unit, electric plug or power lead in water or any other liquid.

**DO NOT** operate the unit with wet hands.

**DO NOT** operate the unit if steam outlets are blocked. Check the steam outlets before use.

**DO NOT** operate if damaged, cracked or leaking water.

**DO NOT** leave the unit unattended. Unplug from the mains power socket when not in use.

**DO NOT** modify the unit in any way.

**DO NOT** attempt to service the unit yourself. Contact the customer helpline.

**DO NOT** direct steam towards any electrical equipment.

**DO NOT** allow steam to enter mains power socket in case of electrical shock.

**DO NOT** use on or near direct heat source.

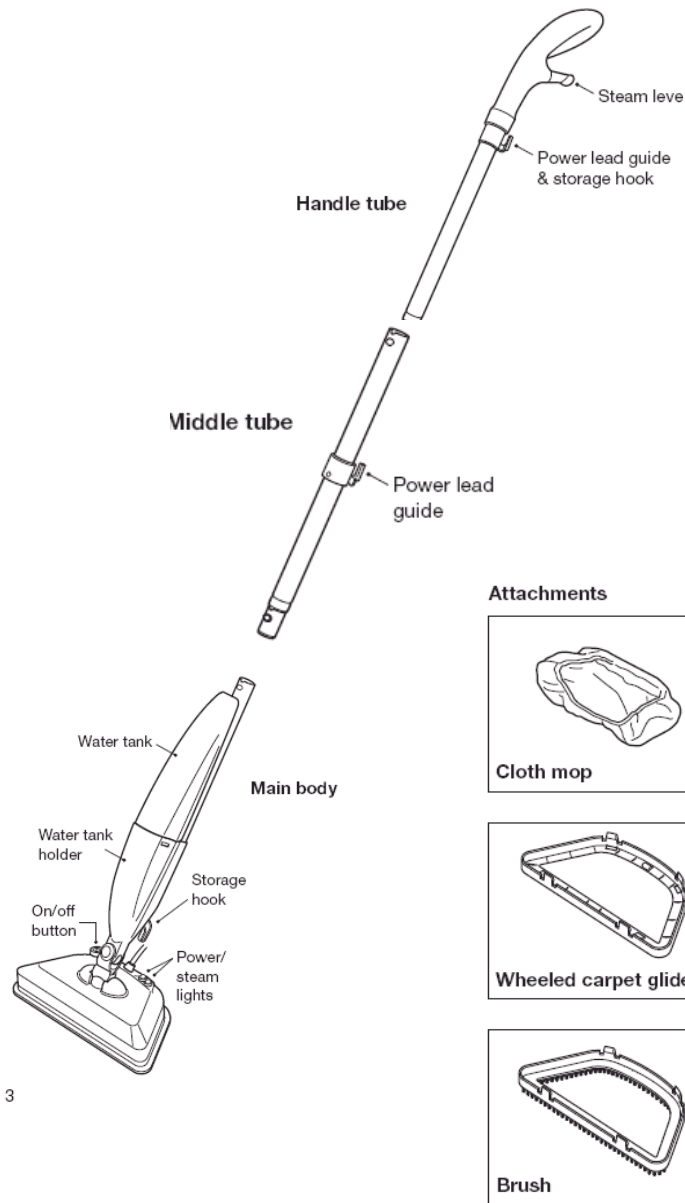
Only operate the unit using the handle; do not pull or drag by the power lead.

Unplug from the main power socket when re-filling the water tank.

Allow the unit to cool before changing the attachments, dismantling or storing.

**Keep this instruction for future reference.**

## Steam Mop Parts



3

## You Steam Mop

### What surface can be cleaned?

Check that your floor covering or surface is suitable for steam cleaning.

Types of flooring the steam mop can be used on are: carpet, ceramic, marble. Linoleum, sealed laminate, parquet and stone.

If in double check with your floor covering supplier or the cleaning guidelines for your floor covering.

### Which attachments to use?

**Cloth mop**-for use on smooth surface e.g. sealed laminate floors, parquet and tiled surface.

**Wheels carpet glider and cloth mop**-for use on carpet.

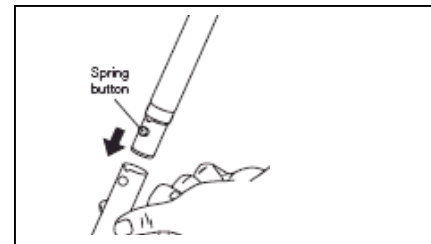
**Brush**- for use on rougher surface e.g. stone floors.

## Assembly

**Caution: take care to trap your fingers when connecting and disconnecting the handle tubes.**

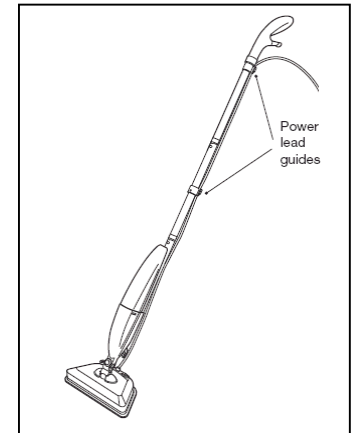
Assemble the handle, middle and main body tubes.

Line up the spring buttons with the holes, push in the spring button and insert each tube so the spring buttons located and "click" into position in the holes.



-4-

Secure the power lead into the power lead guides on the middle and handle tubes, this will keep the power lead out of the cleaning area when using.

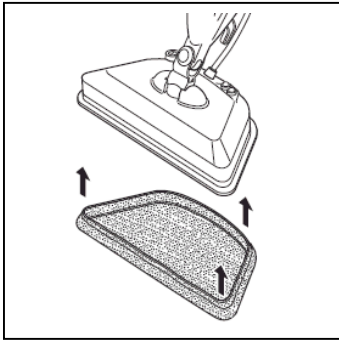


## Fitting the attachments

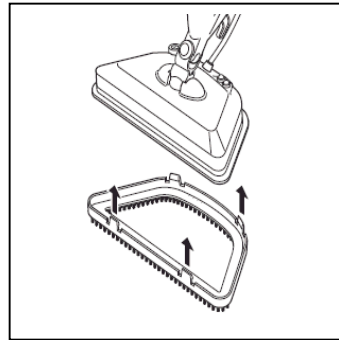
**Warning:** Only fit or change the attachments when the unit is cool and unplugged from the mains power socket.

**The steam mop should not be used without any attachment fitted.**

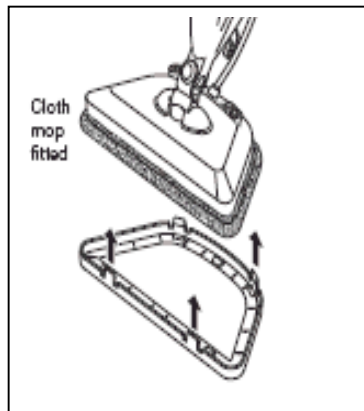
**Cloth mop** – Stretch the cloth mop and place over the bottom plate. The mop will only fit on one way round.



**Brush attachment** – Push fit the brush so the clips locate onto the sides of the bottom plate. When removing one side at a time to avoid damaging the brush.



**Wheeled glider and cloth mop** – Push fit the wheeled glider (over the cloth mop) so the clips locate onto the sides of the bottom plate. When removing, take care and remove one side at a time to avoid damaging the glider.



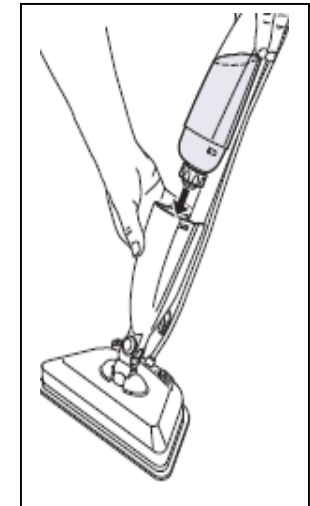
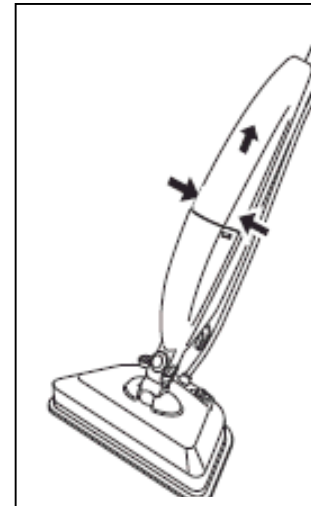
## Filling the Water tank

**Warning:** The unit must be unplugged from the main power socket when removing or fitting the water tank.

Squeeze the sides of the water tank and lift up of the water tank holder.

Unscrew the cap and fill the clean water or distilled water. Replace the cap and fully tighten.

Re-fit the water tank into the holder. The tabs will “click” into position when fitted correctly.



## Before Use

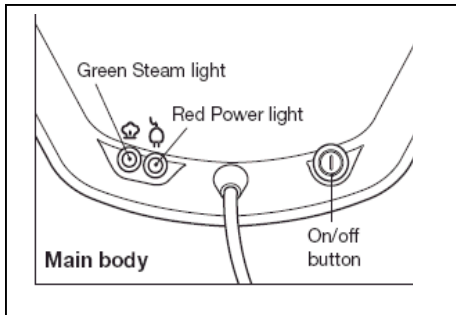
Sweep or vacuum the floor surface you are about to use the steam mop on. The steam mop will clean but will not sweep or suck up any debris.

**Important:** if you are not sure if the steam mop is suitable for use on your floor surface, check with your floor covering supplier or the cleaning guidelines for your floor covering.

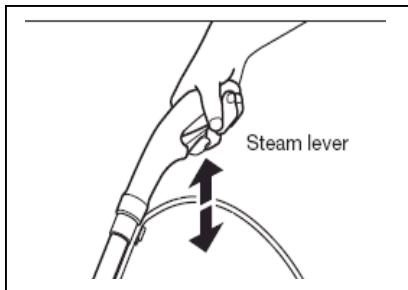
Always test on a normally unseen area first to check if the steam has any unusual effects. Never use materials that cannot high temperatures.

## Using the Steam Mop

**Warning:** Do not use when the water tank is empty. With the required attachments fitted and the water tank filled, plug the power lead into a mains power socket and switch on. Press the on/off button on the main body and the red power light and the green steam will illuminate. Wait for a minute for the unit to heat up. When the green steam light goes off the unit is ready to produce steam.



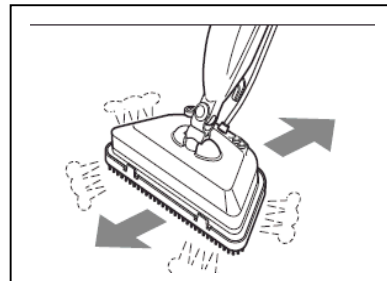
Each time the stem lever is squeezed, steam is released. If the steam lever is squeezed and held in that position the steam will not be constant.



When the green steam light is illuminated you should stop squeezing the lever until the light goes off. The unit will then be hot enough to produce steam again. If you continue to use the unit while the green light is on, water may drip from the unit and not steam.

### Cleaning

Move the steam mop head steadily over the surface of the carpet. If there are stains on the carpet, pause over that area for a few seconds to allow the steam to penetrate. Do not hold in the same position for too long or the steam may cause watermark or stain.



**Handy Hint :** it is not recommended that you start at the end of the area/room you are cleaning, so when you finish you won't have to walk on the freshly cleaned surface.

Do not scrub or soak the carpet.

On heavy pile carpet, it is recommended that you pull rather than push the steam mop.

After cleaning, the floor may remain damp for several minutes – this is normal.

As manufacture test each unit before shipping, then there is a little remaining water in the tank and it is normal.

## Care and Maintenance

Always allow the steam mop to cool down before removing the attachments or storing.

If the cloth mop is dirty after use, it can be machine washed. Take care that the dirt from the cloth mop does not stains other items in the wash.

Replacement cloth mops can be purchased from the retailer.

Always empty the water tank when not in use.

Store the power lead by wrapping it around the storage hooks on the handle and main body sections.